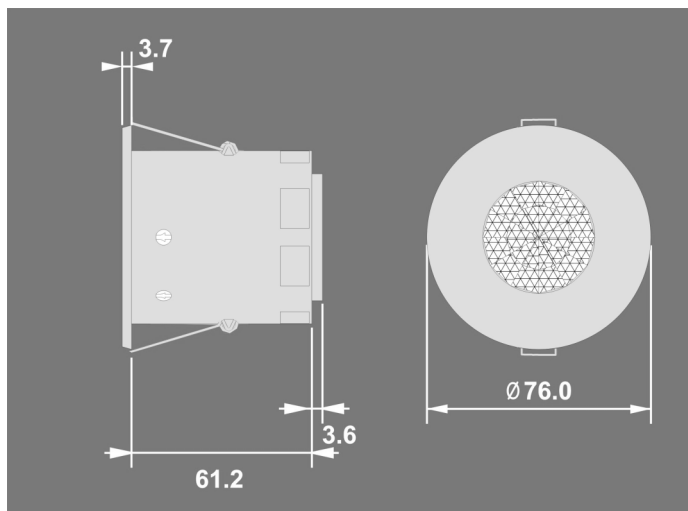


THORN

96239816 CONNECT MRE DUC PIR

		Contents
Section	Contents	Page
1	Dimensional information	1
2	Description and operation	2
3	Fixing and wiring	3
4	Programming	6
5	Detection pattern diagrams	11
6	Fault finding	11
7	Specification	12

1. Dimensions



2. Description & Operation

The CONNECT MRE DUC PIR presence detector switches are designed to provide automatic control of lighting loads via the Connect marshalling box. They detect movement using a PIR sensor and turn the load on. When an area is no longer occupied the load will switch off after an adjustable time out period.

The detector also has an integral light sensor which can provide the following optional features:-

- With Connect dimming marshalling boxes, the unit can provide a maintained illuminance (or daylight linking) feature. The internal light sensor measures the light level in an area and will automatically adjust the output of the luminaries, via the marshalling box, to maintain a constant, adjustable lux level. Please note that this function only works with Connect dimming marshalling boxes using either DSI or analogue (1-10V) dimming ballasts.
- “Lux hold off” with non-dimming marshalling boxes, to prevent lighting coming on when a person first enters the area if there is sufficient ambient light present (only available using the SWITCHLITE IR PROGRAMMER programming handset - please see below).
- “Lux switch off” with non-dimming marshalling boxes, to switch lighting off during occupancy if the light level rises above a certain lux level in an area, which is sometimes required if ambient light affects the area during certain times of the day (only available using the SWITCHLITE IR PROGRAMMER programming handset - please see below).

When the unit is first powered up the PIR sensor will always detect immediately regardless of whether the room is occupied or not.

An integral IR sensor in the unit allows the additional functions to be used in conjunction with:-

Programming Handset (Part No. SWITCHLITE IR PROGRAMMER) the following additional functionality is available for commissioning purposes:-

- Setting the time delay.
- Sensitivity (range) adjustment.
- Walk test LED - to check that the detector is picking up movement in the area.
- Set the maintained illuminance lux setting on dimming marshalling boxes.
- Set “lux hold off” and “lux switch off” levels on non-dimming marshalling boxes.

The SWITCHLITE IR PROGRAMMER programming handset should only be used by specifically trained personnel for commissioning purposes only.

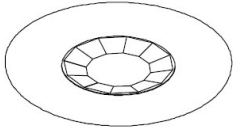
3. Fixing & Wiring

1. Connect a Cat 5 (RJ45) patch lead from the back of the sensor to the relevant port on the Connect marshalling box. An additional RJ45 connector is provided to daisy chain sensors together when being used with non-dimming marshalling boxes.
2. The detector should be sited so that the occupants of the room fall inside the detection pattern shown in section 5, at a recommended ceiling height of 2.8m. Note that the lower the sensor is installed the smaller the detection range will be, subject to the parameters shown on the diagram.
3. Mount using one of the two options above overleaf.
4. On the side of the unit, use a small screwdriver to set the SENSITIVITY adjuster to maximum (fully anticlockwise); the LUX level to maximum (fully anti-clockwise), and the TIME to minimum (fully clockwise).
5. Power the unit up - the load should come on immediately.
6. Vacate the room or remain very still and wait for the load to switch off (this should take no more than 2 minutes).
7. Check that the load switches on when movement is detected.
8. If required, adjust the sensitivity level down to reduce the range of detection.
9. For dimming applications the LUX adjuster determines the maintained illuminance level. When the LUX is set to maximum (fully clockwise), maximum output will be seen from the dimming ballasts. Adjust this down to get a lower output if required.
10. Select the time using the adjuster, fully anticlockwise is the maximum.
11. *Using the SWITCHLITE IR PROGRAMMER programming handset; all the above parameters can be set - please refer to Section 4 (page 7 and 8) for further details.*

3. Fixing & Wiring (continued)

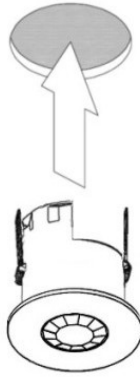
FLUSH FIXING

Warning - be careful bending springs when mounting unit.

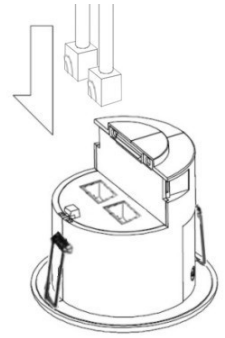


1

Hole Ø64mm



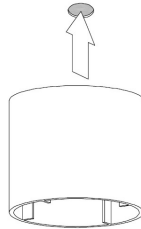
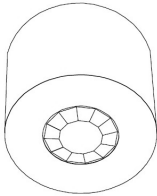
2



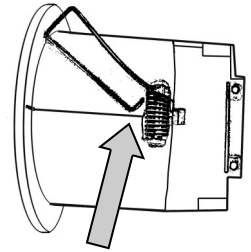
SURFACE FIXING

1

50mm or 60mm fixing centres



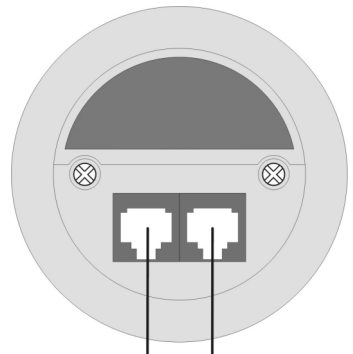
2



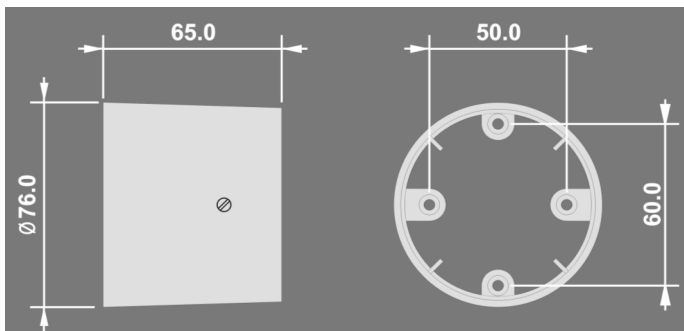
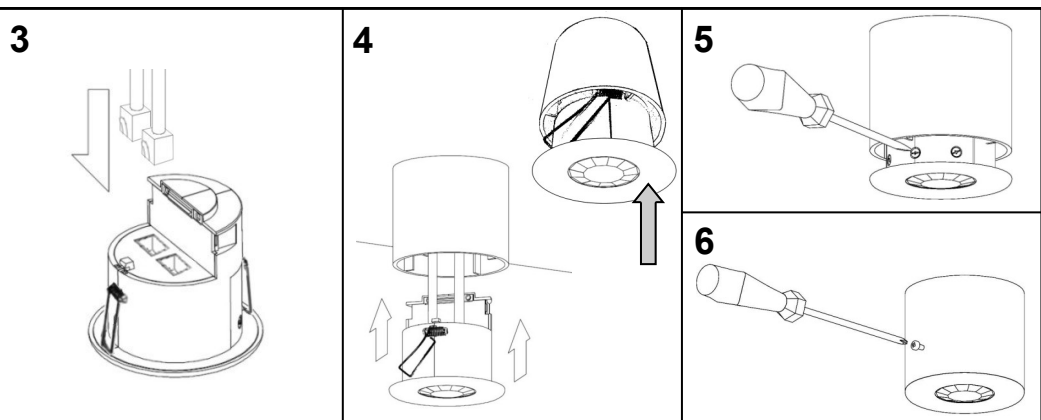
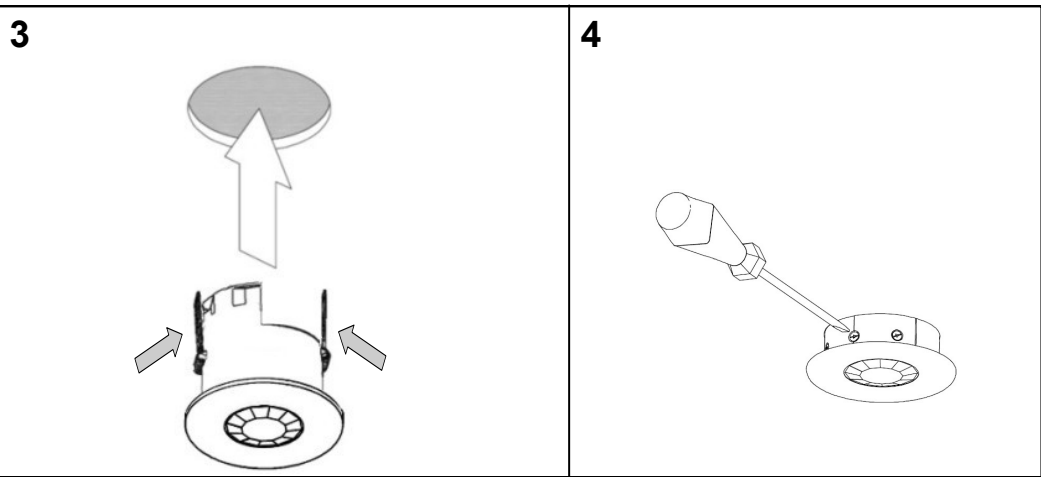
Pull out spring tab and rotate spring arm as shown

When mounting the detector:-

- Avoid direct sunlight entering the sensor.
- Do not site within 1m of forced air heating or ventilation.
- Do not site within 1m of any lighting.
- Do not fix to a vibrating surface.



2 x Connect RJ45 Connections
for Cat 5 patch leads



Surface Mount Backing Box
 (Part No. 96218678)
 (not supplied with detector)

4. Programming

Using the SWITCHLITE IR PROGRAMMER

All the following functions can be programmed using the remote control SWITCHLITE IR PROGRAMMER handset:

Please note that there are some parameters that appear on the SWITCHLITE IR PROGRAMMER handset which are not listed below—do not attempt to use these.

- Press the “on” button on the handset to switch the handset on.
- Select the menu using the left and right arrows and press “on”.
- Adjustments to each parameter can be made by using the up and down arrow keys on the handset.
- To send the selected command press the “on” button whilst pointing the handset at the detector lens. The red LED behind the detector lens will flash to show that the command has been received.
- To exit the menu, scroll right until “Previous menu” appears, then press “on”, which will take you back to the main menu headers, or alternatively press and hold the left key which will also take you back to the main menu headers.
- To switch the handset off, press and hold the left arrow key. On the main menu (“Detector Param” will show), scroll right until “Off” appears . Press the “on” button” to turn off. The handset will switch off automatically after a time period if left on.

4. Programming (continued)

Time Delay, Sensitivity & Walk Test functions

1. Go to “Detector Param” menu on the SWITCHLITE IR PROGRAMMER handset, and press “on”, then scroll left and right using the left and right arrow keys through the menu to see the following parameters.

(Factory default settings are shown in brackets):

- 1.1 **Time mins** (20 min) (Time delay adjustment) 10 seconds to 99 minutes time delay (select 0 for 10 second delay – use for commissioning only).
- 1.2 **Sens On** (9) Sensitivity level when the detector is already operational - adjustable between 1 (min.) and 9 (max.)
- 1.3 **Sens Off** (9) Sensitivity level for switching the detector on – adjustable between 1 (min.) and 9 (max.).
- 1.4 **Walk Test** (N) Select “Y” for “Yes” - to operate the function. An LED behind the detector lens will flash to show movement is being detected (use for commissioning only). Select “N” for “No” to cancel.
- 1.5 **Factory Default** Restores factory default settings.

4. Programming (continued)

Using the IR PROGRAMMER

Non-Dimming Lux Switching functions

2. Press and hold the left arrow key. On the main menu (“Detector Param” will be showing), scroll right until the “Ch1(sw) Set” menu appears on the SWITCHLITE IR PROGRAMMER handset, and press “on”, then scroll left and right through the menu to see the following parameters:

(Factory default settings are shown in brackets):

- 2.1 Switch level on (9)** Lux level setting to prevent the luminaires being switched on if the ambient light level is sufficient (adjustable between 1 and 9). The luminaires will always be switched on at level 9.
- 2.2 Switch level off (9)** Lux level setting to switch the luminaires off during occupancy if the ambient light level goes above the setting (adjustable between 1 and 9). Level 9 will always keep the lights on. This must be set higher than the “Switch level on”, and it is recommended that it is a minimum of 2 levels higher than (2.1) to avoid nuisance switching.

4. Programming (continued)

Using the SWITCHLITE IR PROGRAMMER

Dimming functions

3. Press and hold the left arrow key. On the main menu (“Detector Param” will be showing), scroll right until the “Ch2(dim) Set” menu appears on the SWITCHLITE IR PROGRAMMER handset, and press “on”, then scroll left and right through the menu to see the following parameters:

(Factory default settings are shown in brackets):

- 3.1 **Light level** (999) Maintained illuminance level (adjustable between 1 and 999). At 999 the output will be always be at maximum.
- 3.2 **Off value** (99) Always ensure that this is set to 99.
- 3.3 **Speed on** (40) Determines the dimming response speed after the setup time has finished. Measured in 0.1 sec intervals.
- 3.4 **Speed set** (5) Determines the dimming response speed during the set up time. Measured in 0.1 sec intervals.
- 3.5 **Set seconds** (120) Determines how long the dimming response set-up period lasts on power-up or on setting change (adjustable between 1 and 999 seconds). This enables the desired lux level to be achieved rapidly when the lights come on, or during setup.

Dimming functions are continued on Page 10

4. Programming (continued)

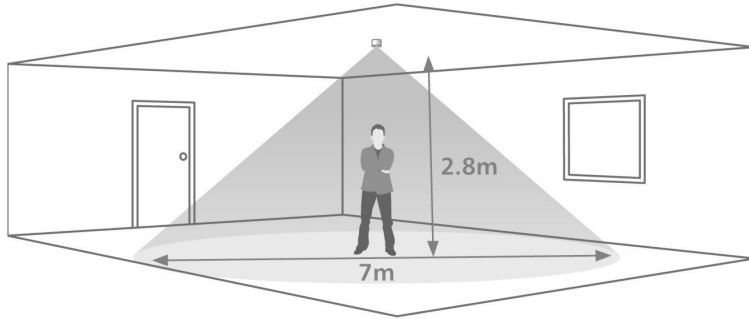
Using the SWITCHLITE IR PROGRAMMER

User menu functions with dimming applications

4. Press and hold the left arrow key. On the main menu (“Detector Param” will be showing), scroll right until the “User” menu appears on the SWITCHLITE IR PROGRAMMER handset, and press “select”, then scroll left and right through the menu to see the following parameters:

- | | |
|-------------------------|--|
| 4.1 Lux up | Increase light level. Reverts when occupancy cycle complete. |
| 4.2 Lux down | Decrease light level. Reverts when occupancy cycle complete. |
| 4.3 Scene up | Steps up between 6 pre-defined scenes. |
| 4.4 Scene down | Steps down between 6 pre-defined scenes. |
| 4.5 Scene# | Select the individual scene, between 0 and 6.
(1 = min. output; 2 = 10%; 3 = 25%; 4 = 50%; 5 = 75%; 6 = 100%) |
| 4.6 Override on | Permanently overrides the luminaire output on. |
| 4.7 Override off | Permanently overrides the luminaire output off. |
| 4.8 Cancel | Cancels the on or off override, returning the detector to normal operation. |
| 4.9 Set | If sent before using Lux Up (5.1) or Lux Down (5.2), it will set the maintained light level as in 4.1. |

5. Detection Patterns



Area of high sensitivity  Area of lower sensitivity 

The above detection zone is available at maximum sensitivity.
If sensitivity is reduced, the range will also be reduced

6. Fault finding

LIGHTS DO NOT COME ON

- Check to see if the Connect marshalling box is powered up and the wiring is correct. Disconnect both RJ45 connections on the Cat 5 patch lead and re-connect, ensuring that they “click” into position, making good connection.
- Check that the “lux hold off” setting is not keeping the lights off because there is sufficient ambient light.
- If the detection range is smaller than expected, check the diagram above. Rotating the sensor slightly may improve the range.
- If the LED is flashing at regular intervals, this shows that the detector is being overridden. Press the cancel button on the handset.

LIGHTS DO NOT GO OFF

- Ensure that the area is left unoccupied for longer than the selected timer setting.
- Make sure that the sensor is not adjacent to circulating air, heaters or lamps.
- If the LED is flashing at regular intervals, this shows that the detector is being overridden on. Press the cancel button on the handset.

7. Specification

LOAD

See datasheet for Connect marshalling box

SUPPLY VOLTAGE

12VDC

TIME OUT PERIOD

Adjustable 10 seconds to 99 minutes

LIGHT LEVEL

Light to dark

FIXING METHOD

Spring fixing, or surface fixing using additional Part No. DBB
(Surface mounting box)

MATERIAL

Flame retardant ABS

TYPE

Class 2

TEMPERATURE

-10°C to 35°C

CONFORMITY

EMC-89/336/EEC

LVD-73/23/EEC



IMPORTANT NOTICE!

This device should be installed by a qualified electrician in accordance with the latest edition of the IEE wiring regulations.

Due to our policy of continual product improvement Thorn reserves the right to alter the specification of this product without prior notice.

THORN

Thorn Lighting Ltd

Durhamgate

Spennymoor

Co Durham

DL16 6HL

United Kingdom

Tel: + 44 (0) 1388 420042

www.thornlighting.co.uk

technical@thornlighting.com

Ref #WD437 Issue 1